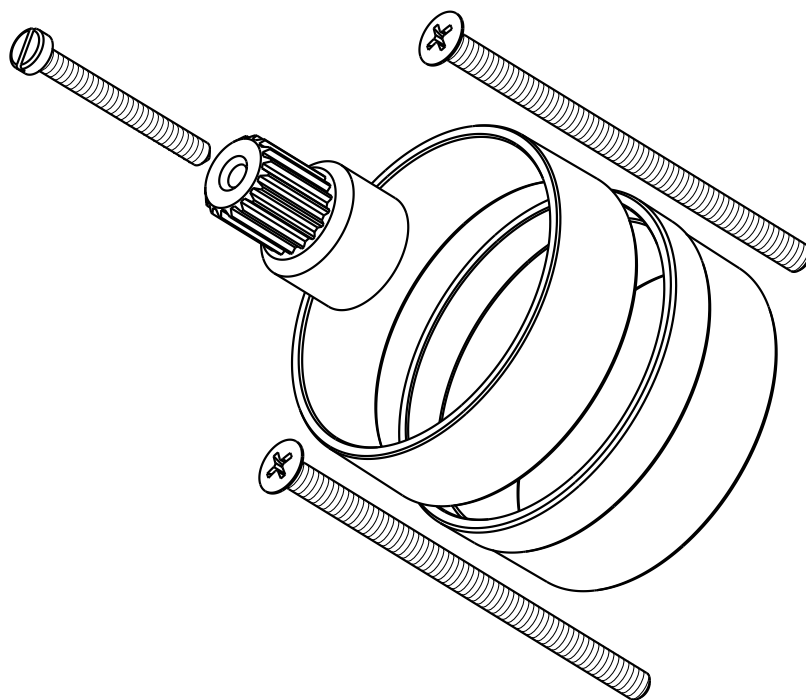


Pure Freude  
an Wasser



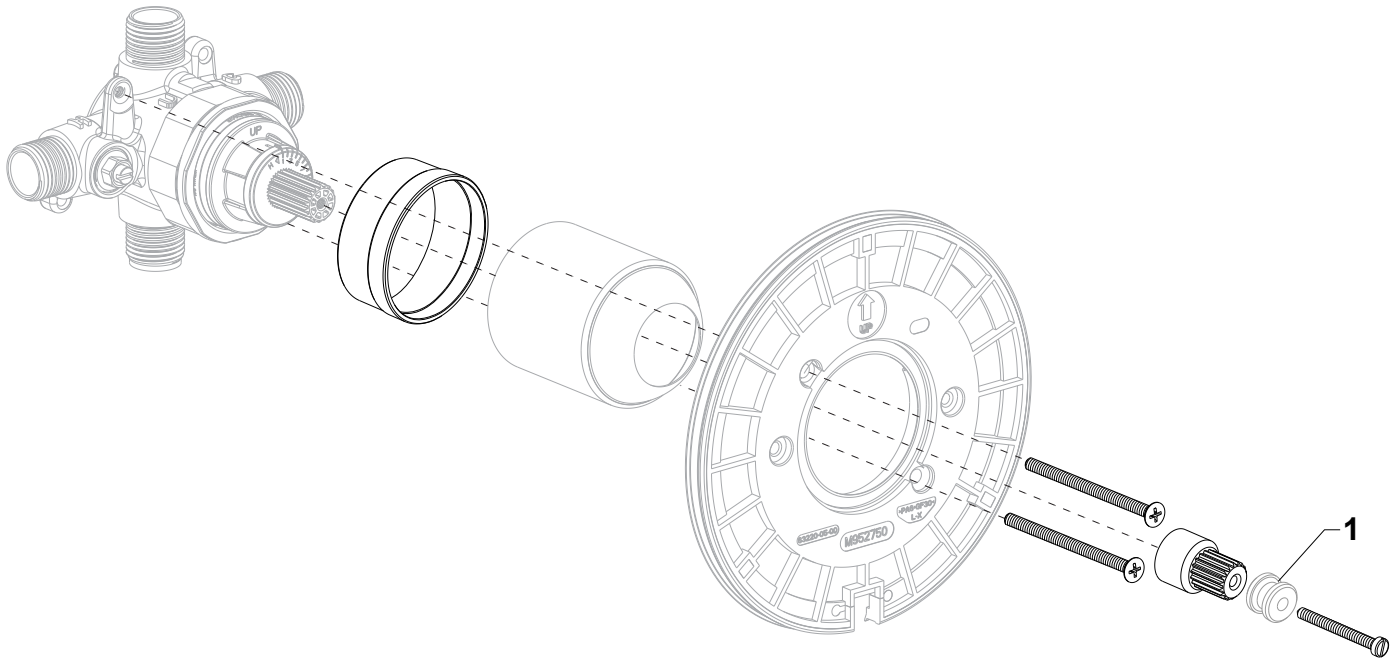
# 49121000 GROHSAFE 3.0 EXETENSION KIT

---

**OWNERS MANUAL  
MANUEL DU PROPRIÉTAIRE  
MANUAL DEL USUARIO**

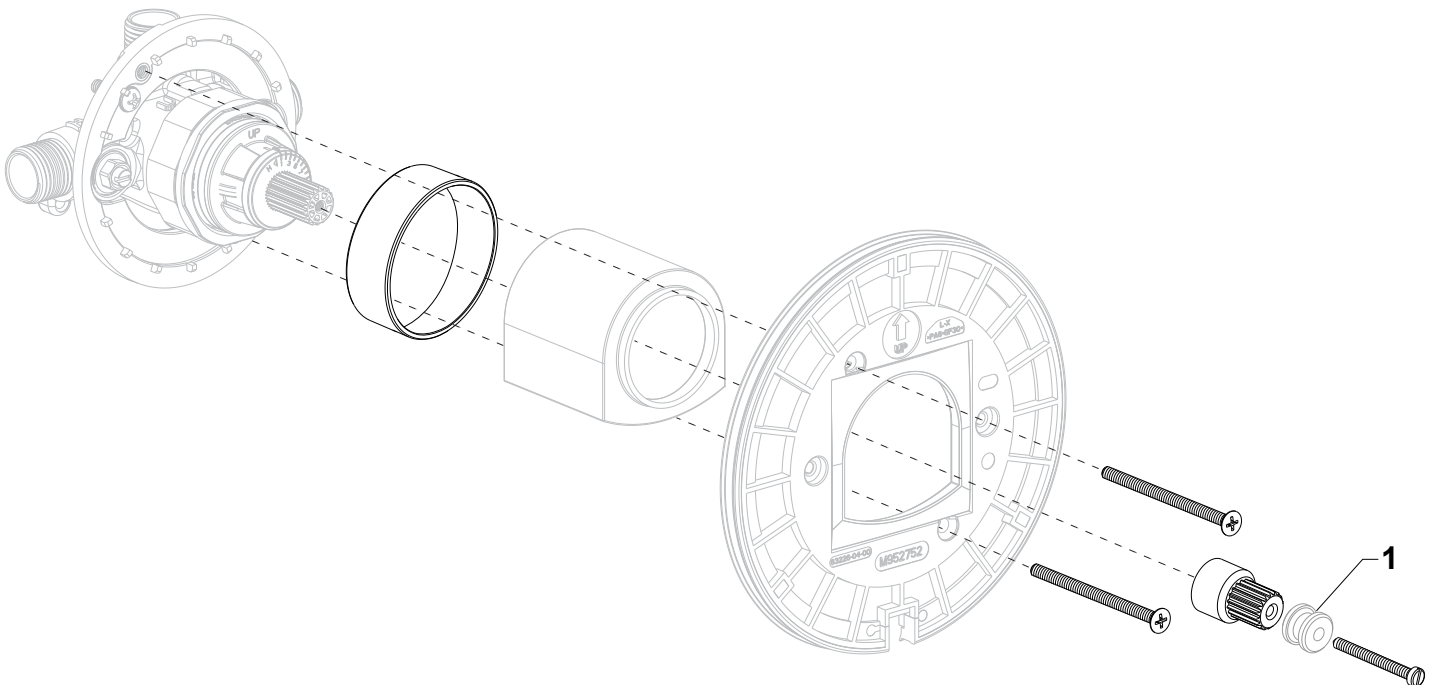
---

**(FOR ALL TRIMS EXCEPT ALLURE, EUROCUBE, GRANDERA, AND PLUS TRIMS)**



**NOTE:** Brass Adapter (1) can be found packaged with the Trim.

**(FOR ALLURE, EUROCUBE, GRANDERA, AND PLUS TRIMS)**



**NOTE:** Brass Adapter (1) can be found packaged with the Trim.